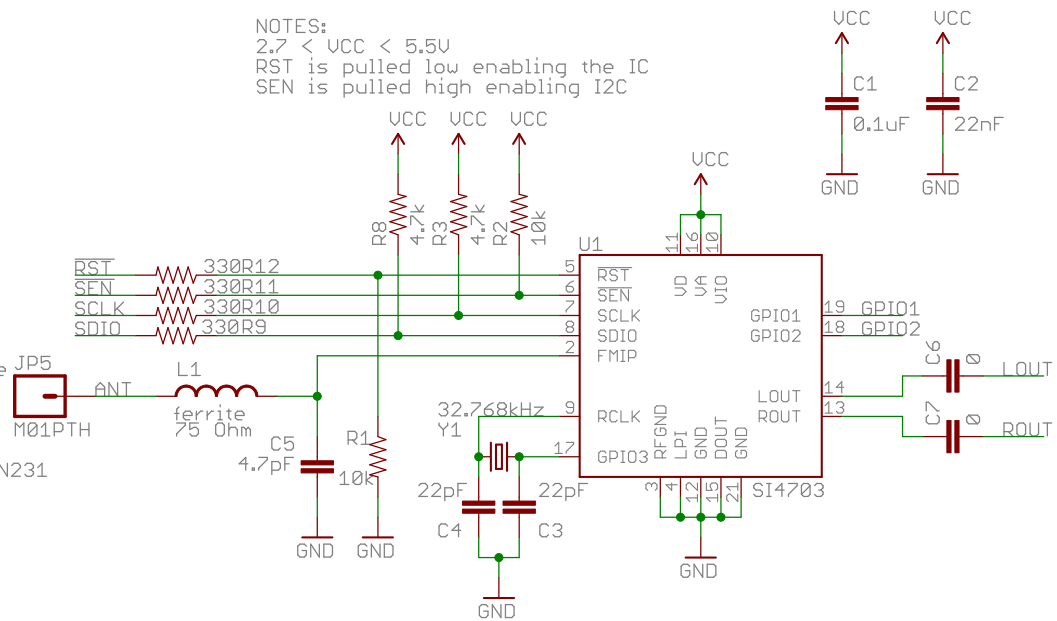


NOTES:
 2.7 < UCC < 5.5V
 RST is pulled low enabling the IC
 SEN is pulled high enabling I2C

*you can solder a single piece of wire here for the antenna, up to 1.5 meters.
 *also see Si app note AN231



⊗		
⊗		
TITLE: Si470x-breakout-v13		SFE
Document Number:		REV:
Date: 5/14/2012 7:11:48 PM		Sheet: 1/1



Released under the Creative Commons Attribution Share-Alike 3.0 License
<http://creativecommons.org/licenses/by-sa/3.0>
 Design by: A. Weiss